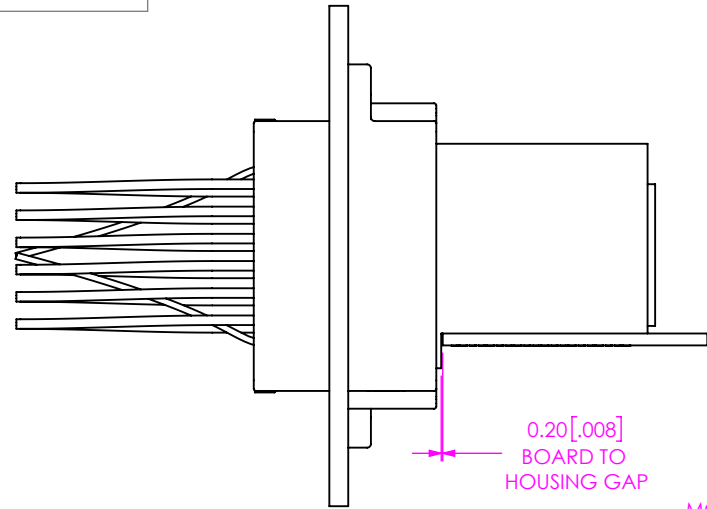


DO NOT SCALE FROM THIS PRINT

DESIGNED AND DIMENSIONED IN MILLIMETERS [INCHES]



M3 x 0.5 TAPPED HOLE ON PANEL (2 PLCS)

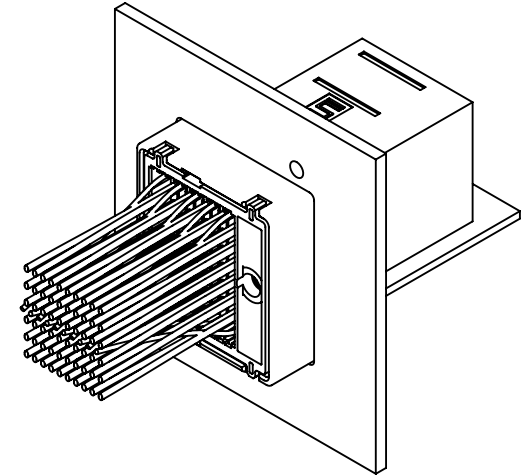
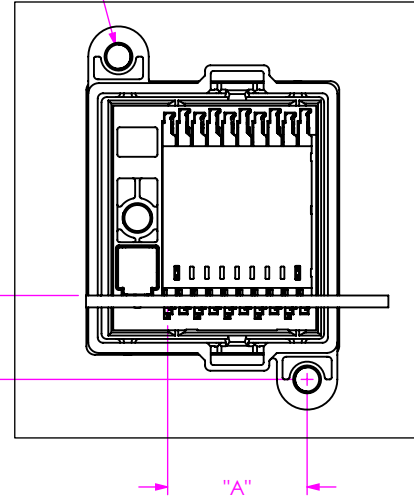


TABLE 1

COLUMNS	"A" (RIGHT GUIDANCE)	"A" (LEFT GUIDANCE)
-08	14.45 [0.569]	20.90 [0.823]
-10	18.45 [0.726]	24.90 [0.980]
-12	22.45 [0.884]	28.90 [1.138]

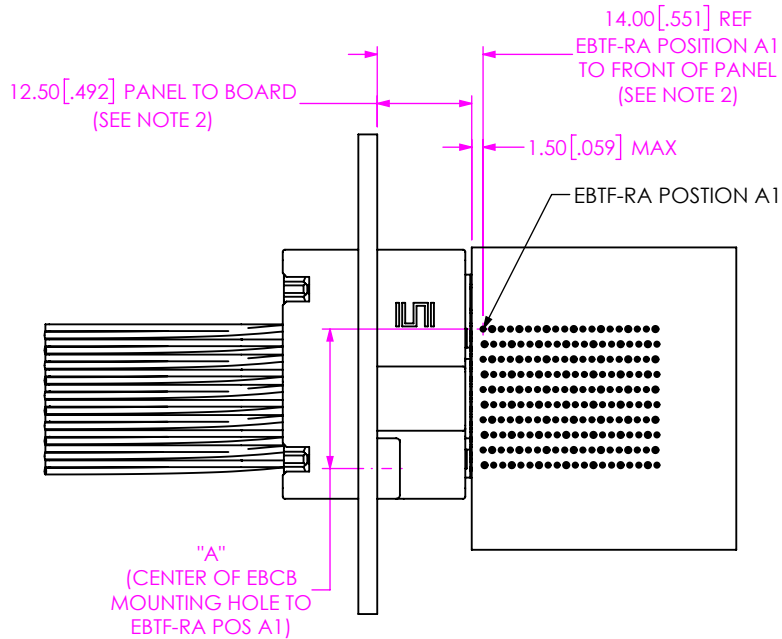


FIG 1 RIGHT GUIDANCE SHOWN

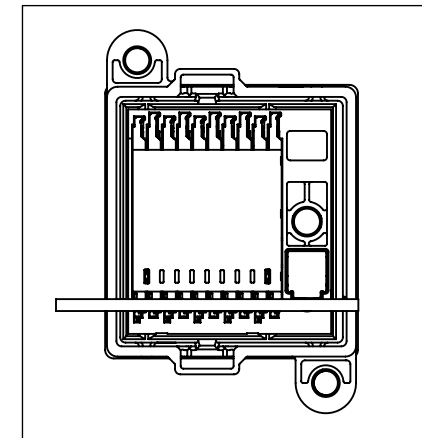


FIG 2 LEFT GUIDANCE SHOWN (DIFFERENT AS SHOWN, OTHERWISE SAME AS FIG 1)

NOTES:

- UNLESS OTHERWISE SPECIFIED, ALL DIMENSIONS BASED ON NOMINAL VALUES WITH FULLY MATED CONNECTORS.
- ASSEMBLIES ARE SHOWN IN THE FULLY MATED POSITION. THESE DIMENSIONS SHOULD BE CONSIDERED A MINIMUM SPECIFICATION.

PROPRIETARY NOTE
 THIS DOCUMENT CONTAINS CONFIDENTIAL AND PROPRIETARY INFORMATION AND ALL DESIGN, MANUFACTURING, REPRODUCTION, USE, PATENT RIGHTS AND SALES RIGHTS ARE EXPRESSLY RESERVED BY SAMTEC, INC. THIS DOCUMENT SHALL NOT BE DISCLOSED, IN WHOLE OR PART, TO ANY UNAUTHORIZED PERSON OR ENTITY NOR REPRODUCED, TRANSFERRED OR INCORPORATED IN ANY OTHER PROJECT IN ANY MANNER WITHOUT THE EXPRESS WRITTEN CONSENT OF SAMTEC, INC.



520 PARK EAST BLVD, NEW ALBANY, IN 47150
 PHONE: 812-944-6733 FAX: 812-948-5047
 e-Mail info@SAMTEC.com code 55322

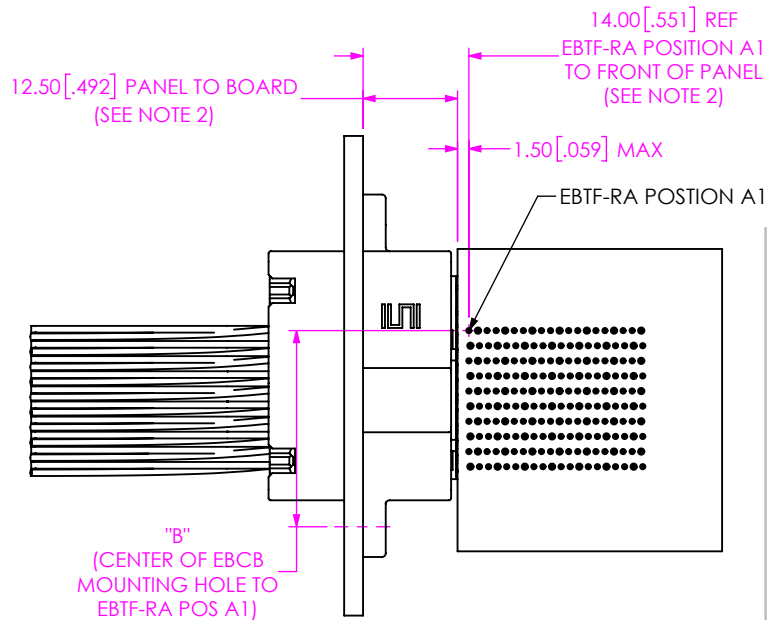
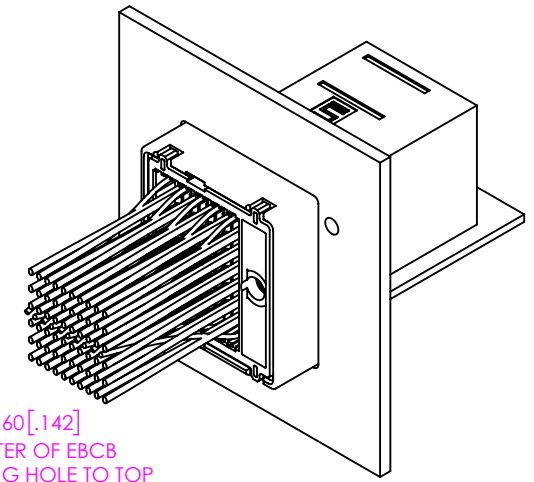
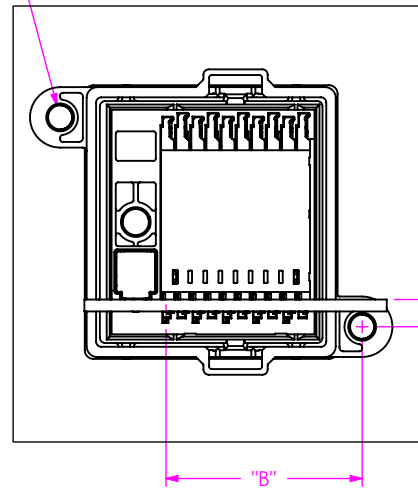
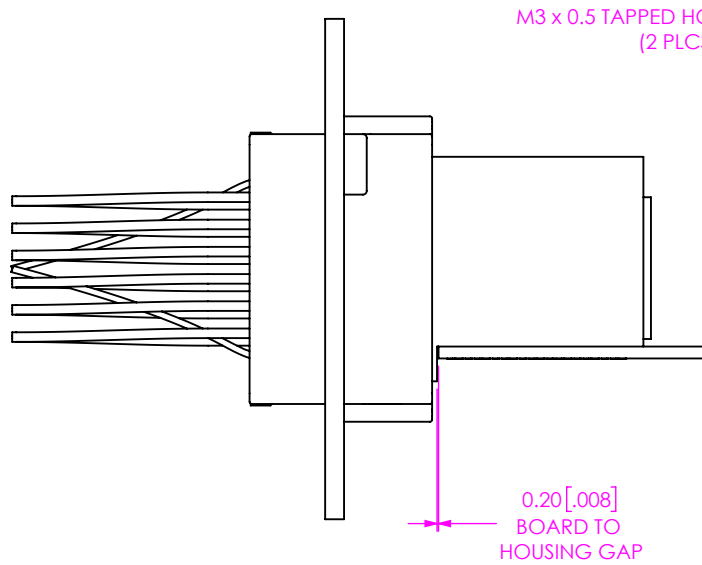


FIG 3
RIGHT GUIDANCE SHOWN

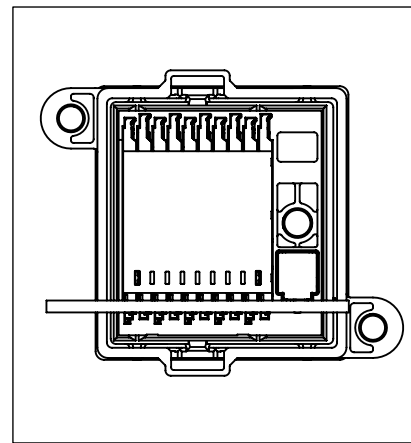


FIG 4
LEFT GUIDANCE SHOWN
(DIFFERENT AS SHOWN, OTHERWISE SAME AS FIG 3)

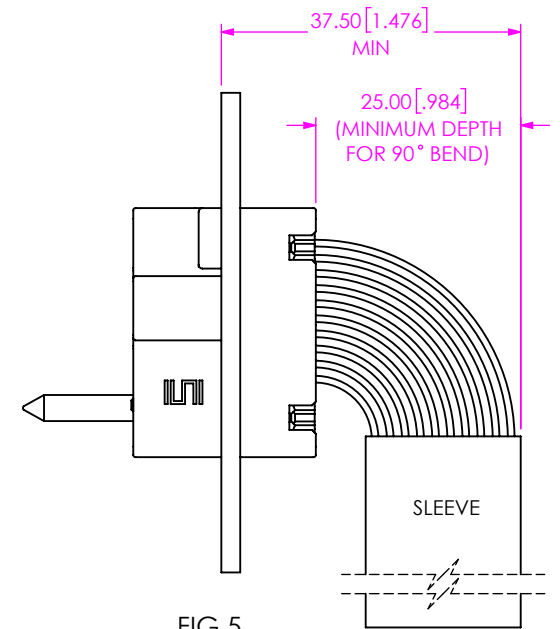


FIG 5
EBCB MATED WITH EBCM SHOWN

COLUMNS	"B" (RIGHT GUIDANCE)	"B" (LEFT GUIDANCE)
-06	17.95 [0.707]	24.40 [0.961]
-08	21.95 [0.864]	28.40 [1.118]
-10	25.95 [1.022]	32.40 [1.276]
-12	29.95 [1.179]	36.40 [1.433]

PROPRIETARY NOTE
THIS DOCUMENT CONTAINS CONFIDENTIAL AND PROPRIETARY INFORMATION AND ALL DESIGN, MANUFACTURING, REPRODUCTION, USE, PATENT RIGHTS AND SALES RIGHTS ARE EXPRESSLY RESERVED BY SAMTEC, INC. THIS DOCUMENT SHALL NOT BE DISCLOSED, IN WHOLE OR PART, TO ANY UNAUTHORIZED PERSON OR ENTITY NOR REPRODUCED, TRANSFERRED OR INCORPORATED IN ANY OTHER PROJECT IN ANY MANNER WITHOUT THE EXPRESS WRITTEN CONSENT OF SAMTEC, INC.



520 PARK EAST BLVD, NEW ALBANY, IN 47150
PHONE: 812-944-6733 FAX: 812-948-5047
e-Mail: info@SAMTEC.com code 55322